

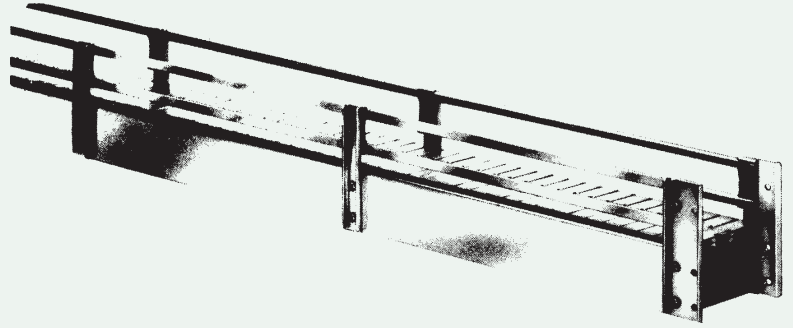
CHAIN CONVEYOR;

TABLE TOP

FEATURES

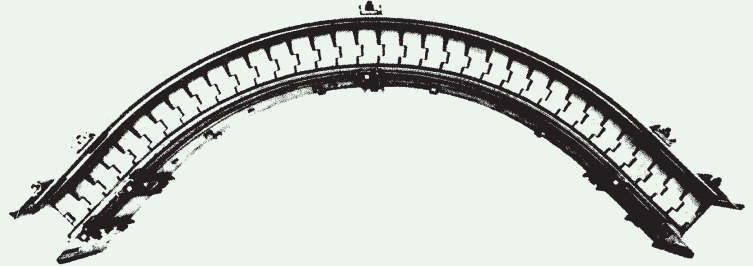
STRAIGHT SECTIONS

Any length up to 10 feet long is available as standard in single, double or triple chain widths. *Standard chain widths are 3 1/4, 4 1/2, 6 and 7 1/2 inches for stainless steel, carbon steel or thermoplastic; 10 and 12 inches wide for thermoplastic chains only.



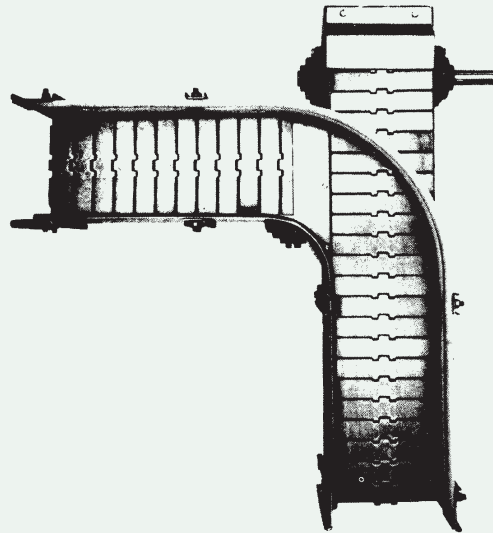
SIDEFLEXING SECTIONS

30°, 45°, 60°, 90° and 180° curves of 18, 24 and 36 inch radius are available as standard. *Single chain widths are 3 1/4, 4 1/2, 7 1/2 and 10 inches are standard.



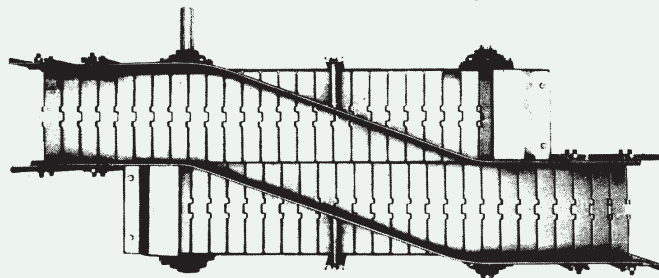
DEAD PLATE TURNS

Available as standard in left or right hand chain-to-chain dead plate transfers for all single chain widths. *Can also be furnished in a variety of configurations.



PARALLEL TRANSFERS

Available as standard in left or right hand chain-to-chain direct transfers for all single chain widths. *Can also be furnished in other configurations to suit multiple width chains.



**Multiple width chains, as well as mixed chain widths on request. For additional information, please contact UNIVEYOR.*



UNIVEYOR CONVEYORS

Burnaby • Calgary • Edmonton • Winnipeg

CHAIN CONVEYOR;

TABLE TOP

SPECIFICATIONS

Conveying Chain	Style	-	<table border="1"><tr><td>Straight running</td><td>Side flexing</td><td>Multi-flex</td></tr></table>	Straight running	Side flexing	Multi-flex			
	Straight running	Side flexing	Multi-flex						
	Widths	-	<table border="1"><tr><td>3½"</td><td>4½"</td><td>6"</td><td>7½"</td><td>10"</td><td>12"</td></tr></table>	3½"	4½"	6"	7½"	10"	12"
3½"	4½"	6"	7½"	10"	12"				
Material	-	<table border="1"><tr><td>Hardened steel</td><td>Stainless steel</td><td>Thermoplastic</td></tr></table>	Hardened steel	Stainless steel	Thermoplastic				
Hardened steel	Stainless steel	Thermoplastic							
Tread Section	Width	-	<table border="1"><tr><td></td></tr></table>						
	Curves	-	<table border="1"><tr><td>30°</td><td>45°</td><td>60°</td><td>90°</td><td>180°</td><td></td></tr></table> degrees	30°	45°	60°	90°	180°	
	30°	45°	60°	90°	180°				
		-	<table border="1"><tr><td>18"</td><td>24"</td><td>30"</td><td colspan="3">centerline radius</td></tr></table>	18"	24"	30"	centerline radius		
18"	24"	30"	centerline radius						
Material	-	<table border="1"><tr><td>Carbon steel</td><td>Stainless steel</td></tr></table>	Carbon steel	Stainless steel					
Carbon steel	Stainless steel								
Wear Strips	-	<table border="1"><tr><td>UHMW</td><td>Stainless Steel</td></tr></table>	UHMW	Stainless Steel					
UHMW	Stainless Steel								
Chain Return	-	located inside tread and supported on	<table border="1"><tr><td>Rollers</td><td>Slide bars</td><td></td></tr></table>	Rollers	Slide bars				
	Rollers	Slide bars							
Drive	Motor	-	<table border="1"><tr><td></td><td>H.P. Electric Motor</td></tr></table>		H.P. Electric Motor				
		H.P. Electric Motor							
		-	<table border="1"><tr><td>Standard protected</td><td>Totally enclosed fan cooled</td></tr></table>	Standard protected	Totally enclosed fan cooled				
	Standard protected	Totally enclosed fan cooled							
		-	<table border="1"><tr><td></td><td>volt,</td><td></td><td>phase, 60 cycle</td></tr></table>		volt,		phase, 60 cycle		
		volt,		phase, 60 cycle					
	Reducer	-	Right angle worm gear reducer						
Chain	-	ANSI 50 drive chain & sprockets							
Location	-	<table border="1"><tr><td>Top</td><td>Side</td><td>Underslung</td><td>mounting</td></tr></table>	Top	Side	Underslung	mounting			
Top	Side	Underslung	mounting						
Chain Guard	-	<table border="1"><tr><td>Steel</td><td>Stainless steel</td></tr></table>	Steel	Stainless steel					
Steel	Stainless steel								
Speed	-	<table border="1"><tr><td></td><td>f.p.m. fixed or</td><td></td><td>to</td><td></td><td>f.p.m. variable</td></tr></table>		f.p.m. fixed or		to		f.p.m. variable	
	f.p.m. fixed or		to		f.p.m. variable				
Drive Sprocket	-	<table border="1"><tr><td>Steel</td><td>Stainless steel</td><td>Thermoplastic</td></tr></table>	Steel	Stainless steel	Thermoplastic				
Steel	Stainless steel	Thermoplastic							
Shafts	-	1" dia. <table border="1"><tr><td>cold rolled steel</td><td>stainless steel</td></tr></table>	cold rolled steel	stainless steel					
cold rolled steel	stainless steel								
Bearings	-	Self aligning ball bearings							
	-	<table border="1"><tr><td>Sealed for life</td><td>Regreasable</td></tr></table>	Sealed for life	Regreasable					
Sealed for life	Regreasable								
Guard Rails	-	Fixed - <table border="1"><tr><td></td></tr></table> " high, <table border="1"><tr><td></td></tr></table> " between							
-	Adjustable - <table border="1"><tr><td></td></tr></table> " to <table border="1"><tr><td></td></tr></table> " high, <table border="1"><tr><td></td></tr></table> " to <table border="1"><tr><td></td></tr></table> " between								
Supports	-	<table border="1"><tr><td>Pedestal - with vertical adjustment</td></tr></table>	Pedestal - with vertical adjustment						
	Pedestal - with vertical adjustment								
		<table border="1"><tr><td>"H" type - with vertical adjustment</td></tr></table>	"H" type - with vertical adjustment						
"H" type - with vertical adjustment									
	<table border="1"><tr><td>Tripod - with vertical adjustment</td></tr></table>	Tripod - with vertical adjustment							
Tripod - with vertical adjustment									
Elevation	-	<table border="1"><tr><td></td></tr></table> " - top of chain to floor							
Finish	-	<table border="1"><tr><td>Structural members- green enamel</td><td>Stainless steel</td></tr></table>	Structural members- green enamel	Stainless steel					
	Structural members- green enamel	Stainless steel							
	<table border="1"><tr><td>Attachment stock - plated</td><td></td></tr></table>	Attachment stock - plated							
Attachment stock - plated									
Controls	-	<table border="1"><tr><td>By customer</td><td></td></tr></table>	By customer						
By customer									

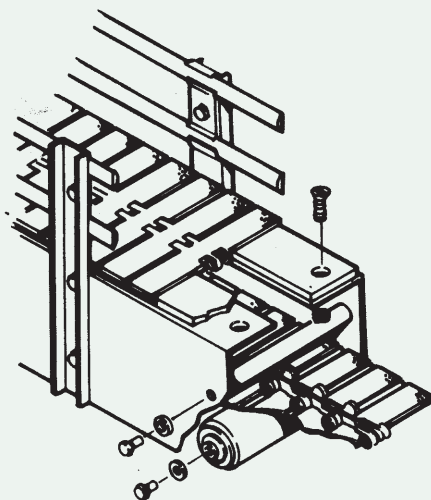
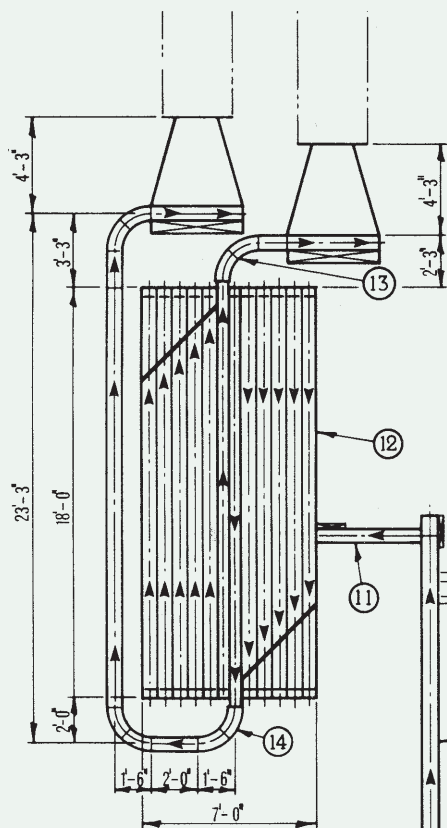


UNIVEYOR CONVEYORS

Burnaby • Calgary • Edmonton • Winnipeg

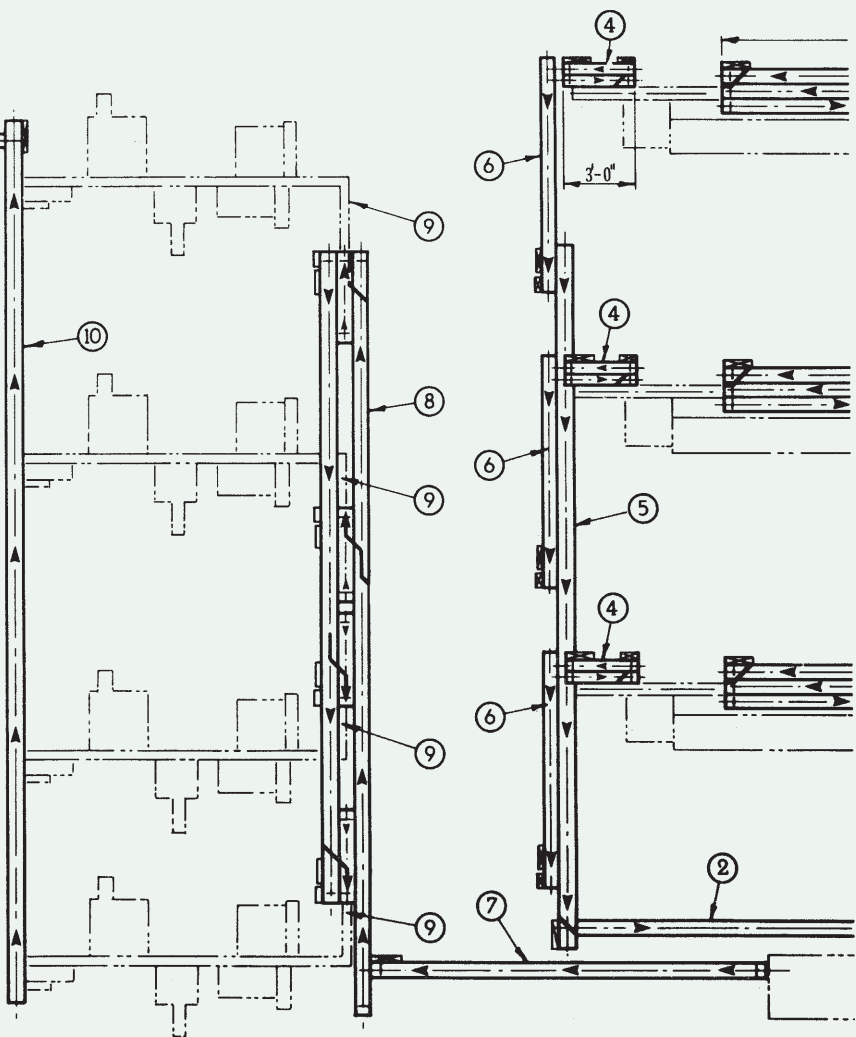
CHAIN CONVEYOR;

TABLE TOP



APPLICATIONS

- Brewing
- Distilling
- Soft drink
- Food processing
- Dairy
- Glass
- Pharmaceutical
- Tray Handling



UNIVEYOR CONVEYORS

Burnaby • Calgary • Edmonton • Winnipeg